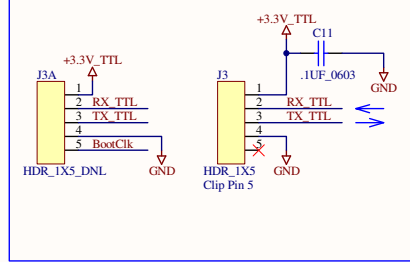
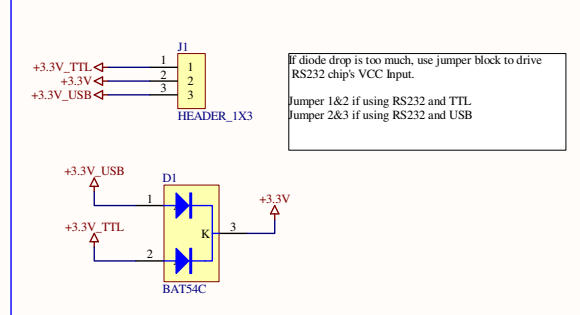


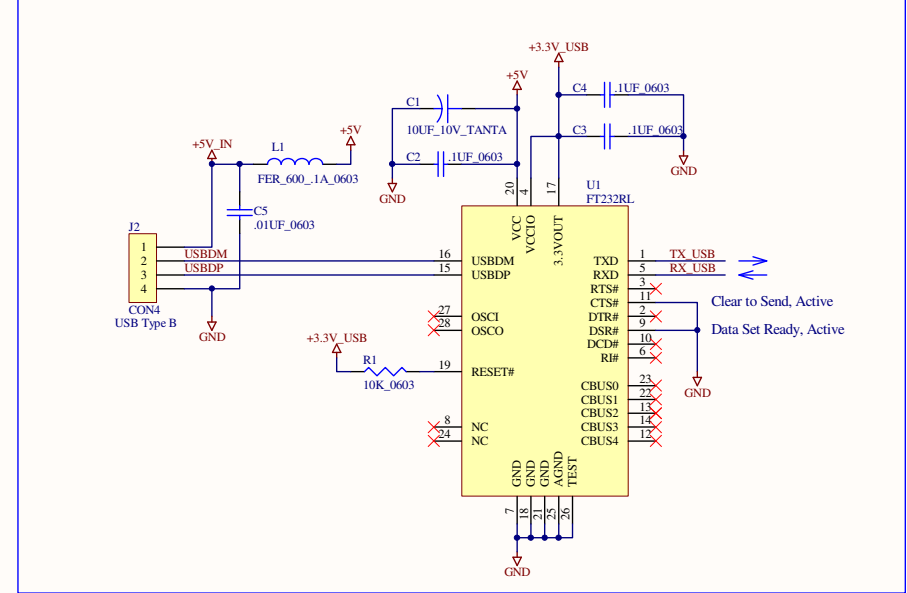
TTL - Serial Port



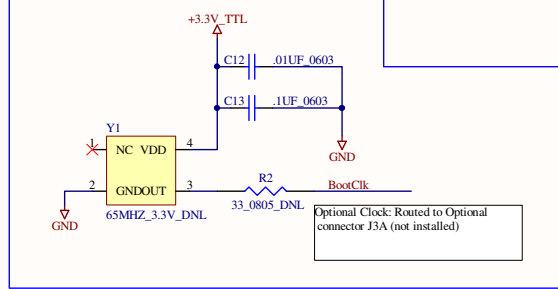
RS232 Voltage Selection



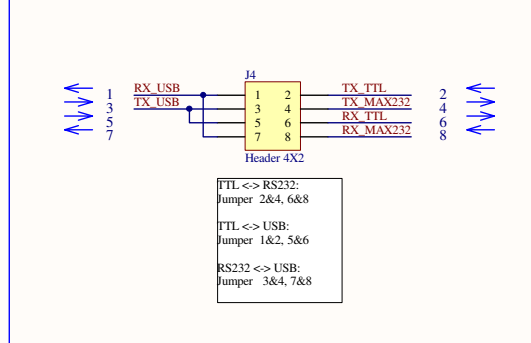
USB <-> TTL Converter



Optional Boot Clock



Configuration Jumpers



TTL <-> RS232 Converter

