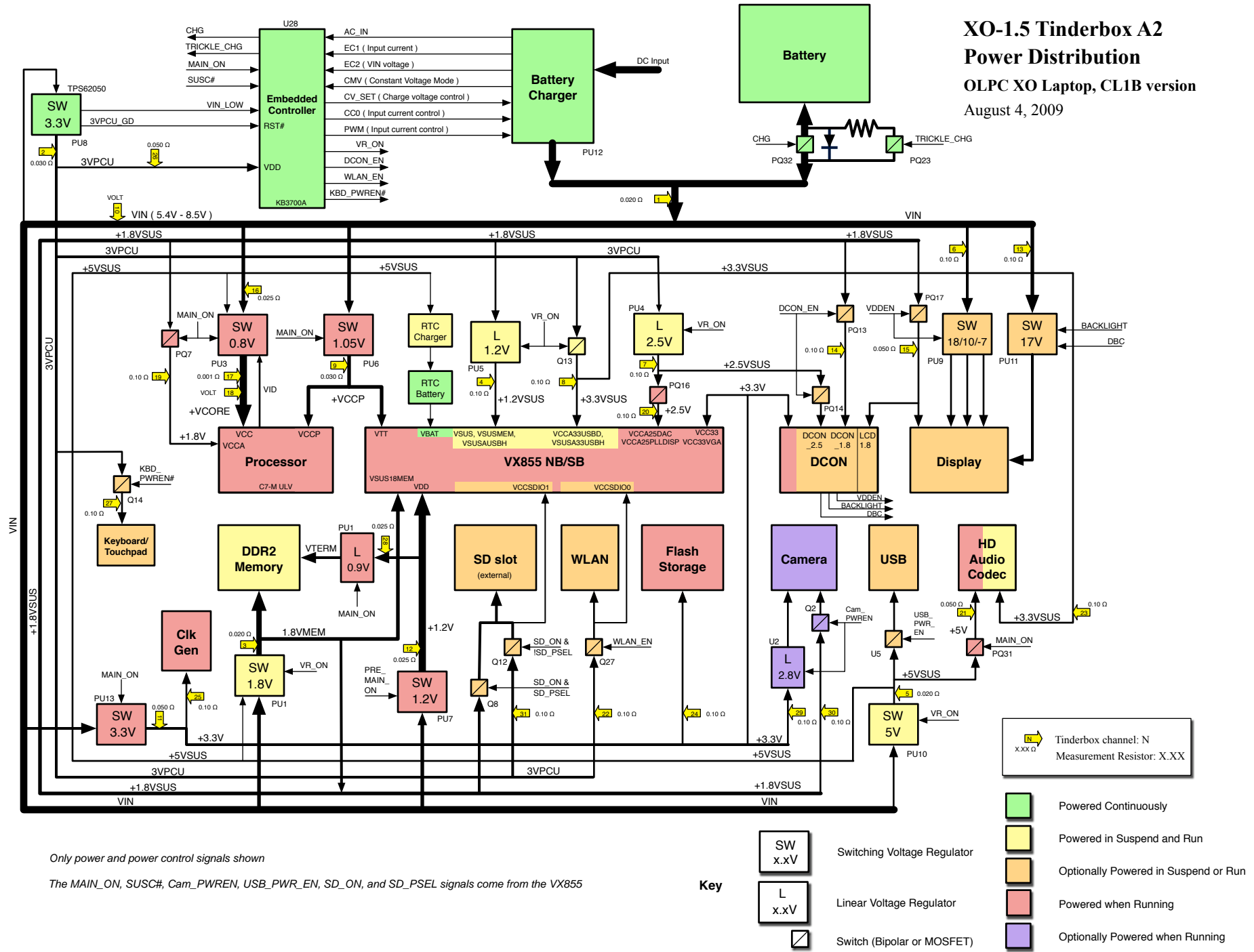


XO-1.5 Tinderbox A2 Power Distribution OLPC XO Laptop, CL1B version August 4, 2009



Only power and power control signals shown

The MAIN_ON, SUSC#, Cam_PWREN, USB_PWR_EN, SD_ON, and SD_PSEL signals come from the VX855