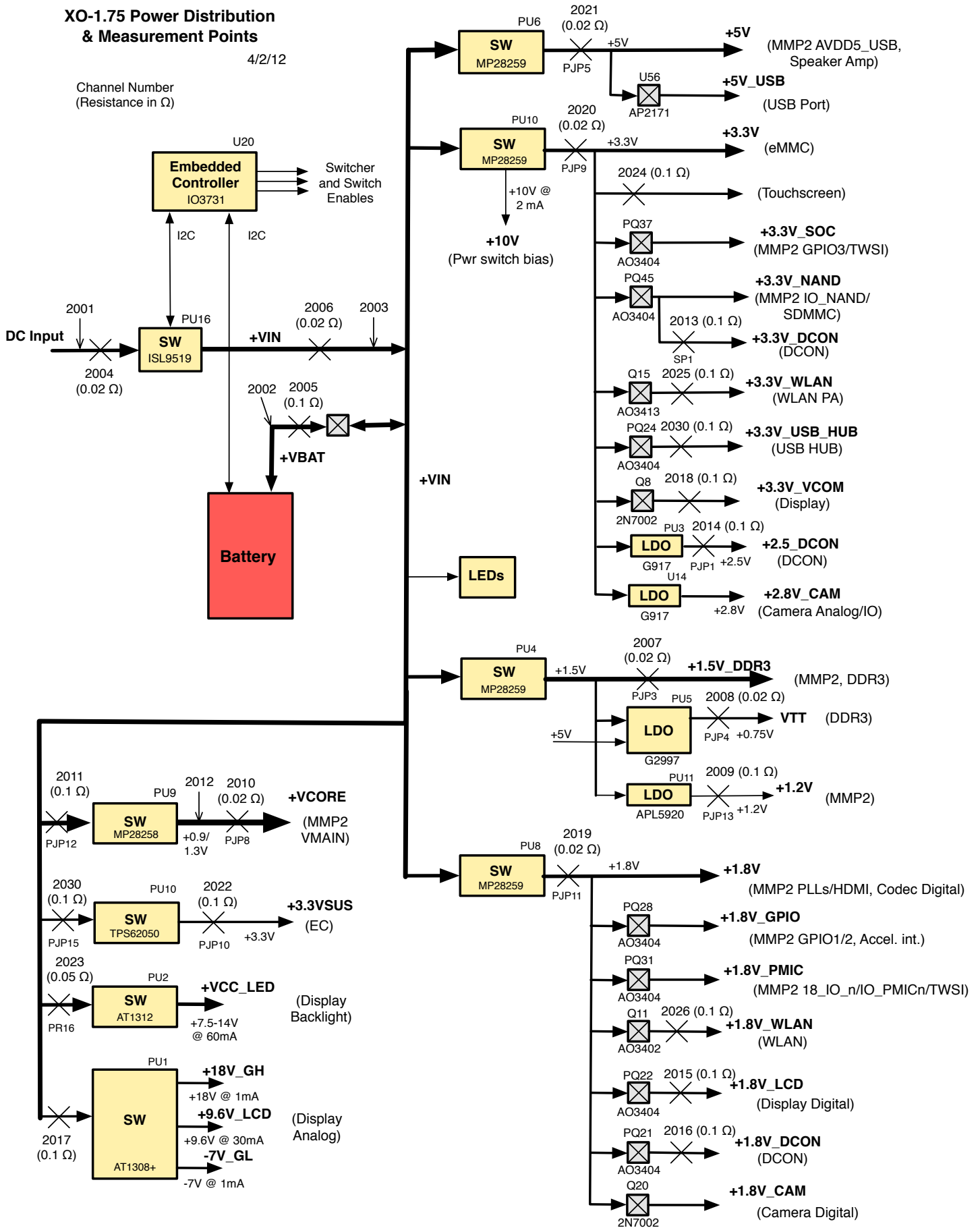


XO-1.75 Power Distribution & Measurement Points

4/2/12

Channel Number
(Resistance in Ω)



Please note that in the case of switches, the order of the switch and the current sense may be alternated.