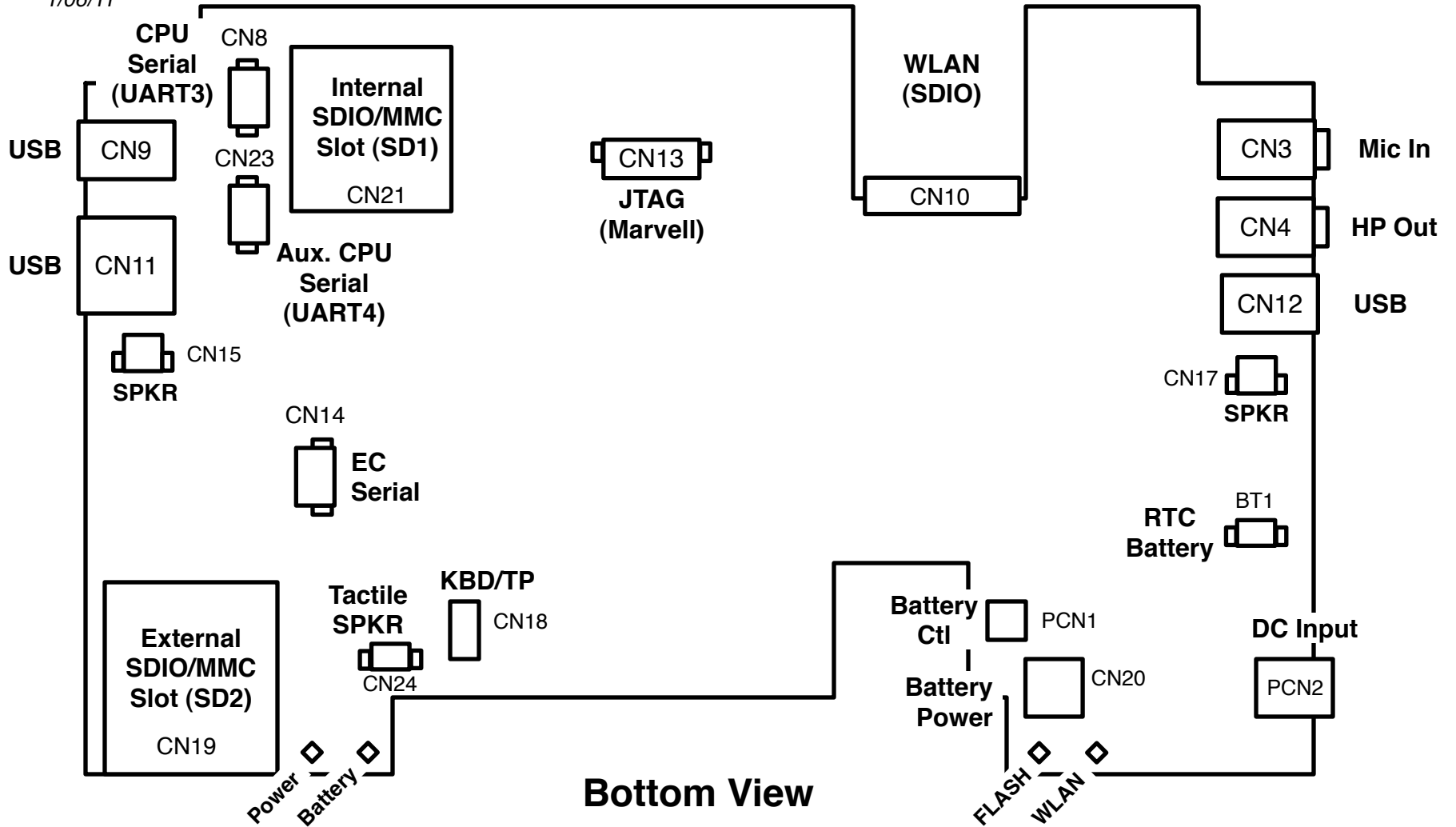


Connectors and Jumpers One Laptop Per Child XO 1.75

1/06/11

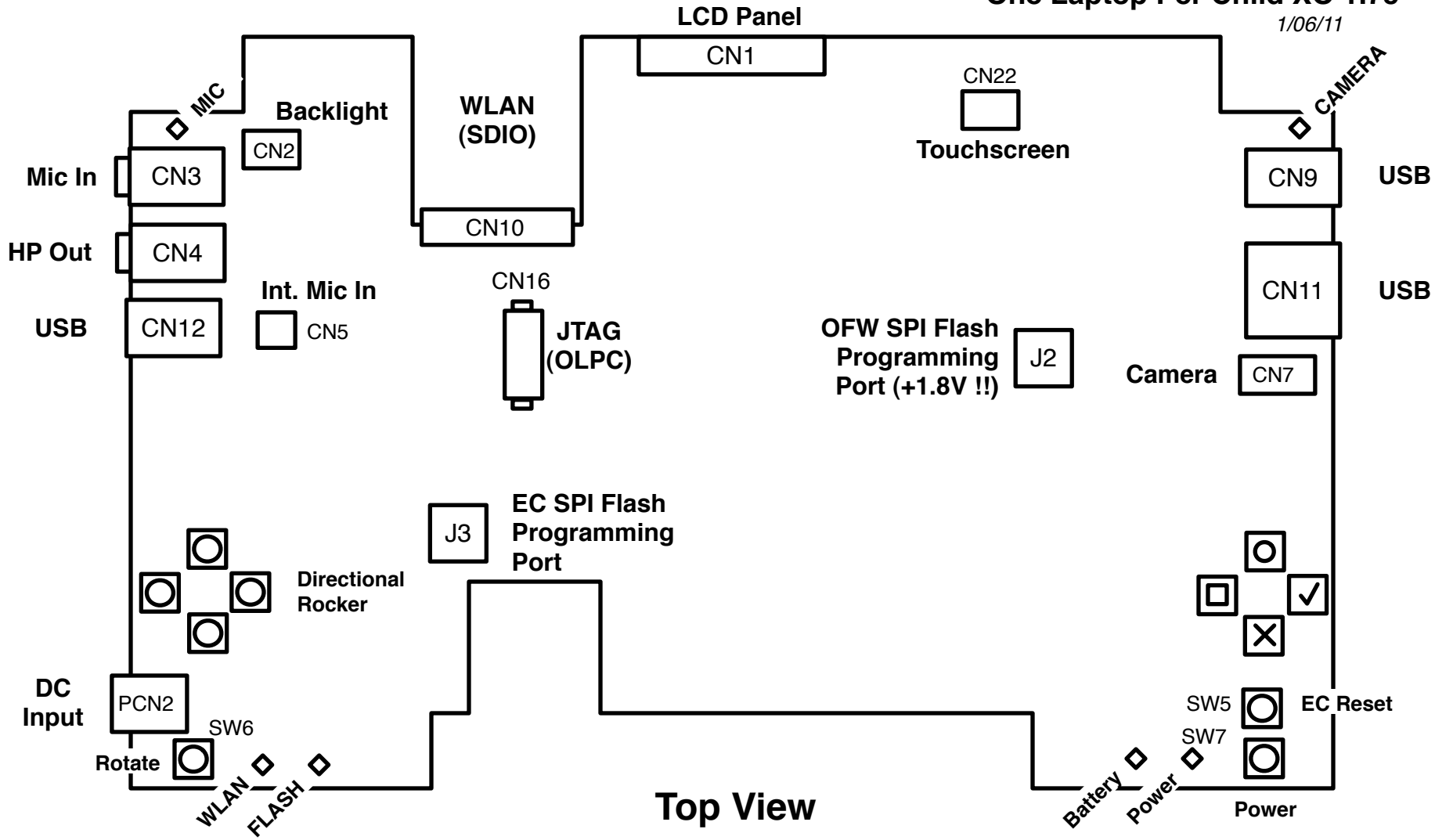


Bottom View

A2-phase (NOT PRODUCTION)

Connectors and Jumpers
One Laptop Per Child XO 1.75

1/06/11



Top View

A2-phase (NOT PRODUCTION)