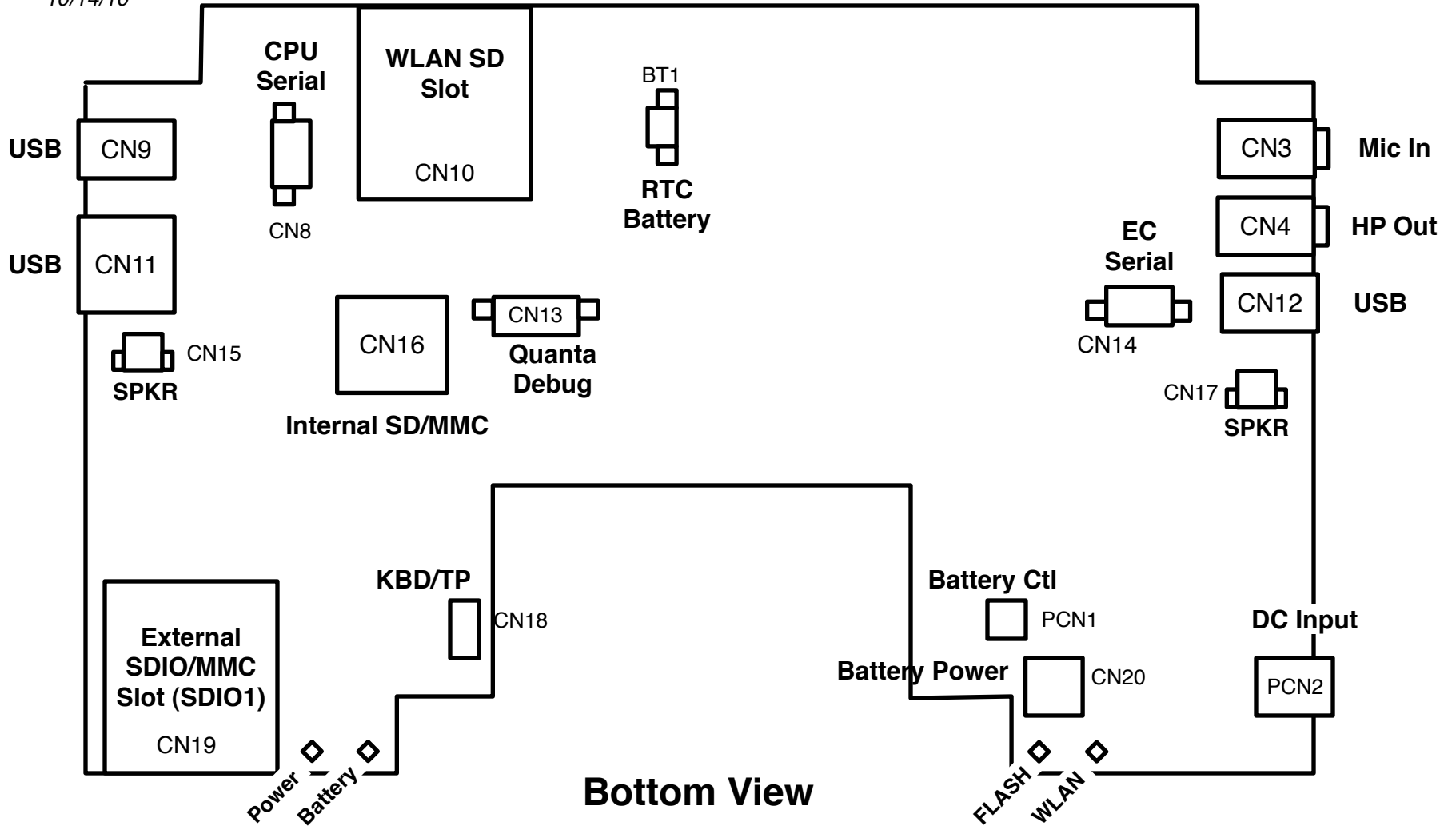


Connectors and Jumpers One Laptop Per Child XO 1.75

10/14/10

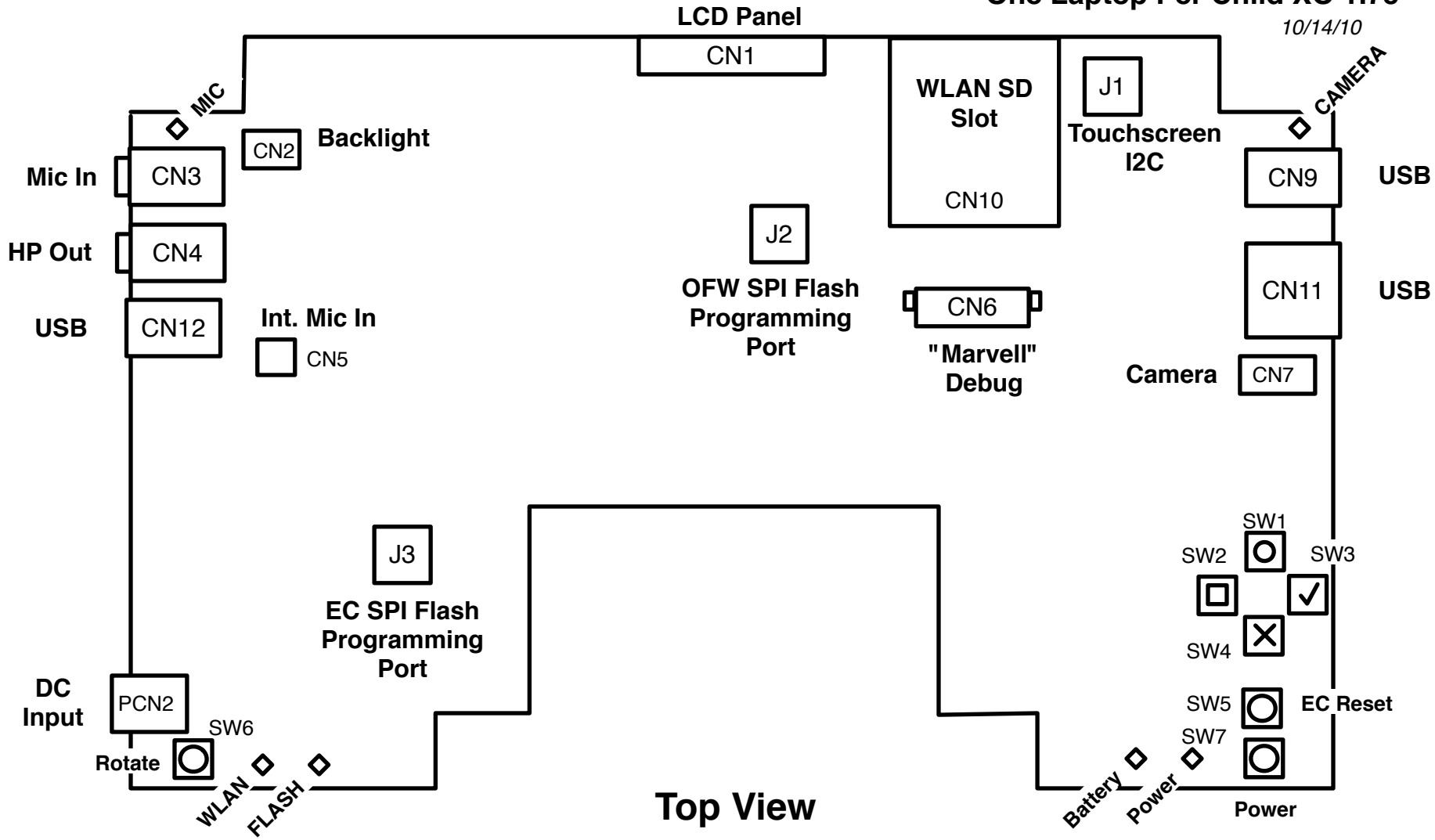


Bottom View

A-phase (NOT PRODUCTION)

Connectors and Jumpers
One Laptop Per Child XO 1.75

10/14/10



Top View

A-phase (NOT PRODUCTION)